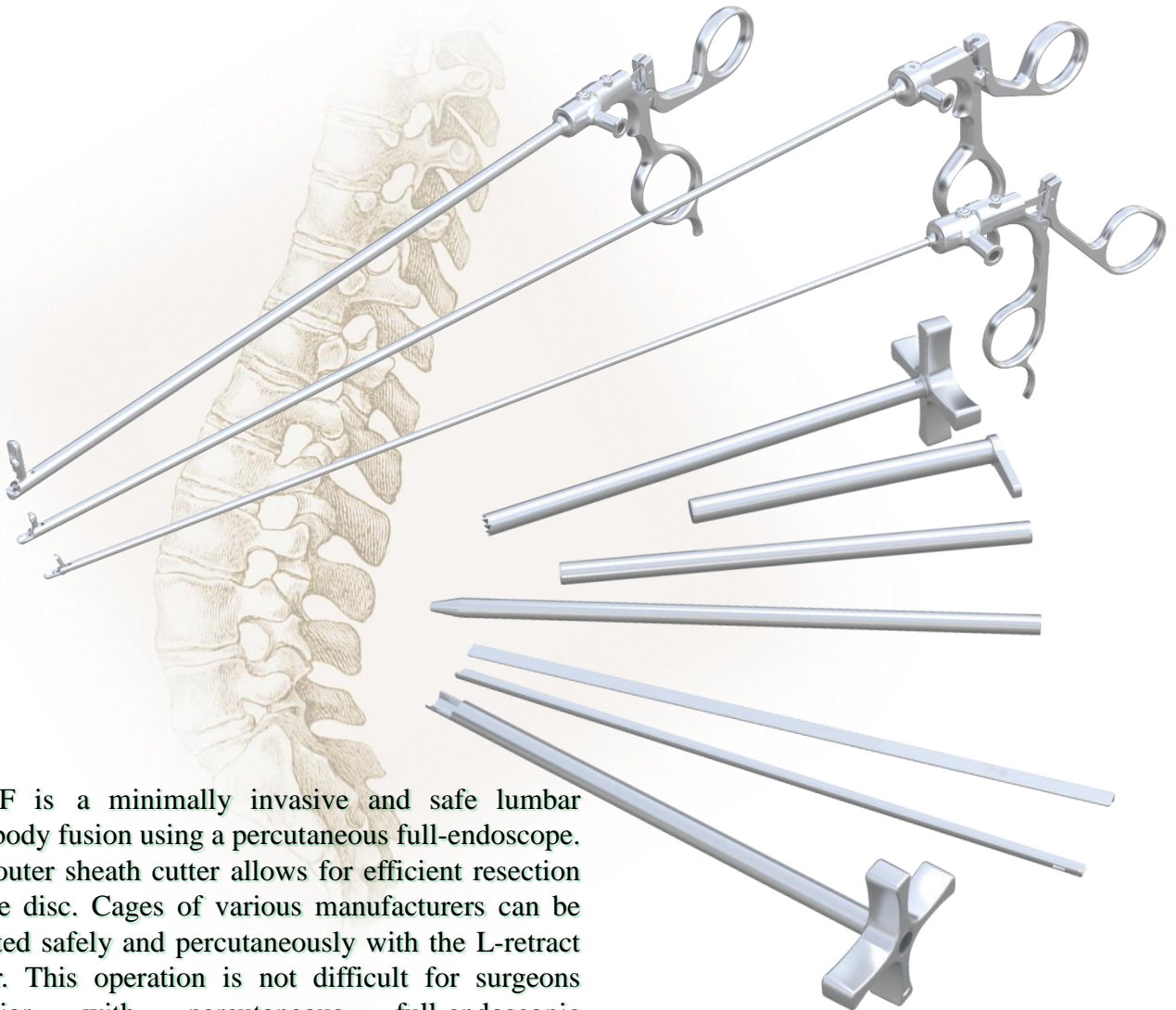


# PELIF®

(Percutaneous full-endoscopic Lumbar Interbody Fusion)



PELIF is a minimally invasive and safe lumbar interbody fusion using a percutaneous full-endoscope. The outer sheath cutter allows for efficient resection of the disc. Cages of various manufacturers can be inserted safely and percutaneously with the L-retract slider. This operation is not difficult for surgeons familiar with percutaneous full-endoscopic discectomy and TLIF.

The photo is not actual size. The size is subject to change without notice.

Device name : フェジ鉗子  
Registration Number : 2IB2X10011000001  
Device Class : Class I

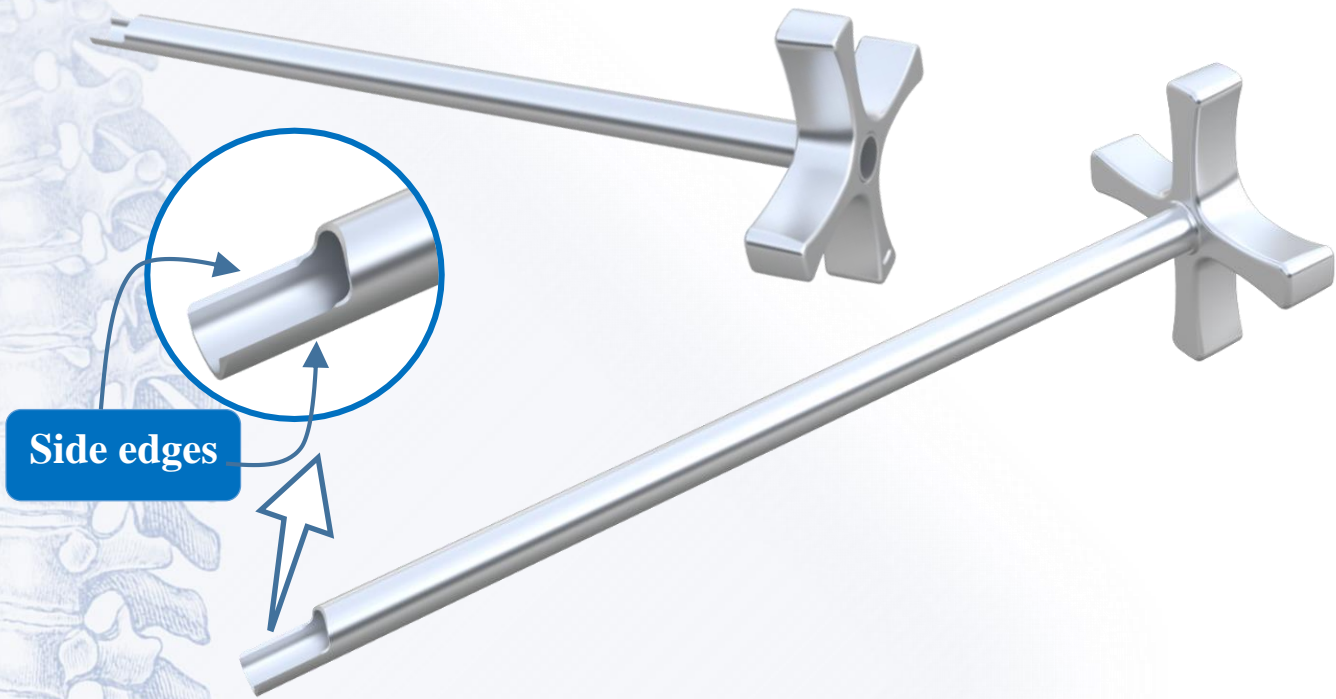
Device name : アウターシースカッター  
Registration Number : 2IB2X10011000004  
Device Class : Class I

Device name : レトラクトスライダー  
Registration Number : 2IB2X10011000005  
Device Class : Class I

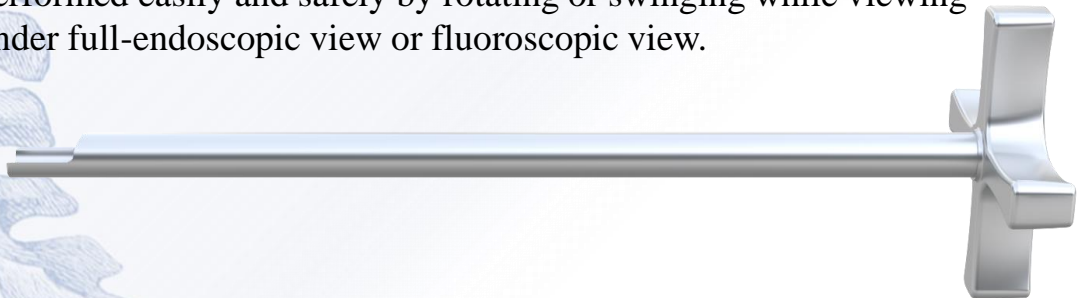
Device name : トレフィンセット  
Registration Number : 2IB2X10011000006  
Device Class : Class I

Device Class : Class I  
Adachi Industry Co.,Ltd.  
TEL : +81-575-22-0052  
Vol.1-2022.10

# outer sheath cutter®



The outer sheath cutter functions both as the sheath of a percutaneous full-endoscopic and cutter to detach the disc from the bony endplate. This instrument has a semicircular beak with bilateral side edges and a cross handle. The minimally invasive disc resection can be performed easily and safely by rotating or swinging while viewing under full-endoscopic view or fluoroscopic view.



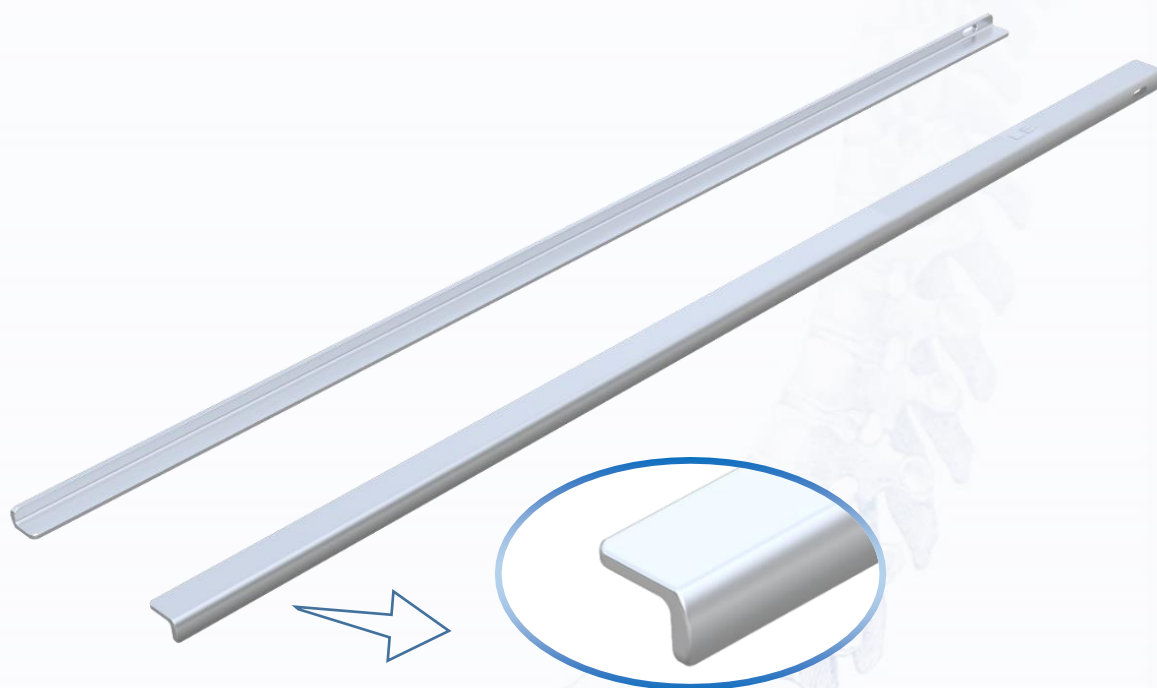
The photo is not actual size. The size is subject to change without notice.

Type	OD	ID	Length
7.5	7.5mm	6.5mm	170mm
8.0	8.0mm	7.0mm	170mm

It can be fabricated in sizes compatible with percutaneous full-endoscope from various manufacturers.

Device name : アウターシースカッター  
Registration Number:21B2X10011000004  
Device Class : Class I  
Adachi Industry Co.,Ltd.  
TEL : +81-575-22-0052  
Vol.2-2022.1

# L-retract-slider®



The L-retract-slider is used for safety cage insertion in PELIF. The corner of the L-shape is rounded, and the 2 inside surfaces are fit to the cage. After the L-retract-slider is inserted into the outer sheath, the outer sheath is removed. The two exterior surfaces of it are placed on the lateral cranial side to protect the exiting nerve root. When two L- retract-sliders are used, they are arranged to enclose the cage. Under fluoroscopic guidance, the cage was inserted along the inside of it.

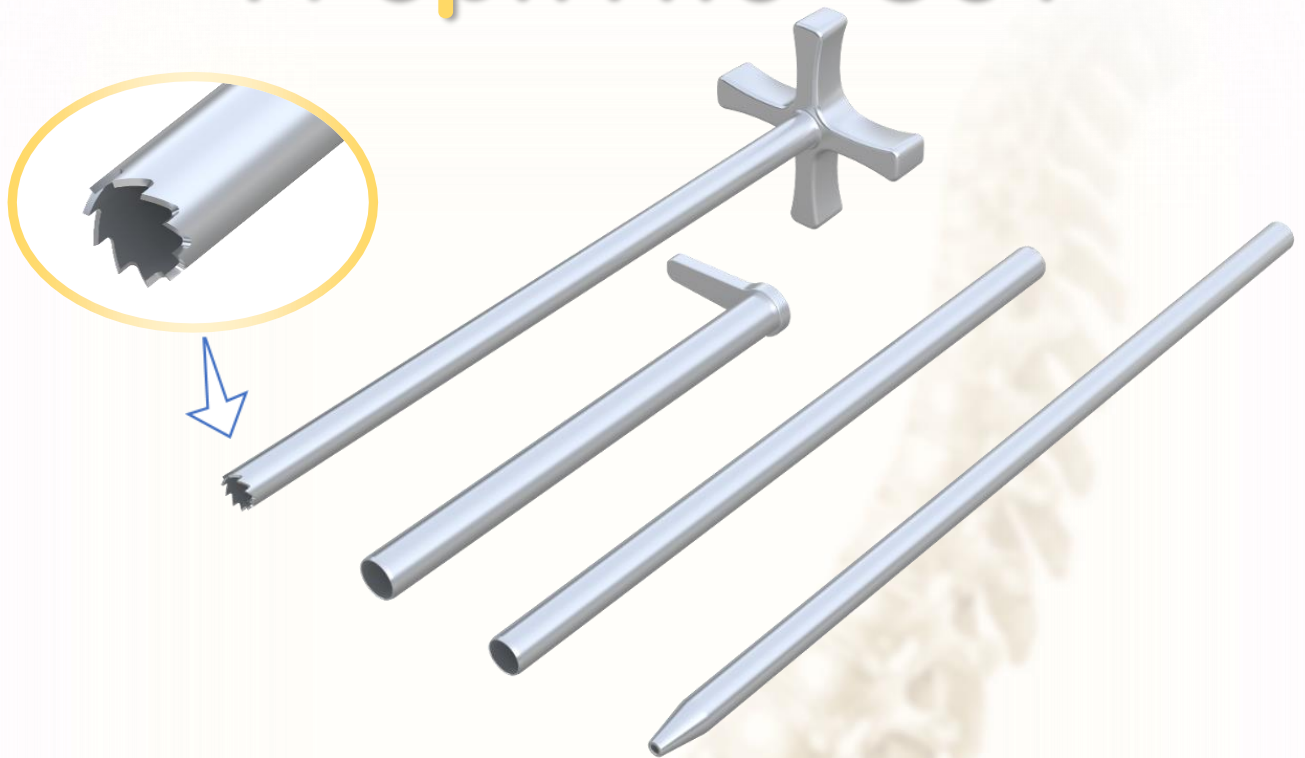


The photo is not actual size. The size is subject to change without notice.

Type	size	Length
Right	small	200mm
	big	200mm
Left	small	200mm
	big	200mm
Remover	-	200mm

Device name : レトラクトスライダー  
Registration Number : 21B2X10011000005  
Device Class : Class I  
Adachi Industry Co.,Ltd.  
TEL : +81-575-22-0052  
Vol.0-2021.9

# Trephine set



The Trephine set is used for percutaneous correction of the cancellous bone. The trephine was inserted into an outer sheath for it and hammered and rotated between the inner and outer plates of the ilium.



Sharp dilator

Serial dilator

Sheath

Trephine

The photo is not actual size. The size is subject to change without notice.

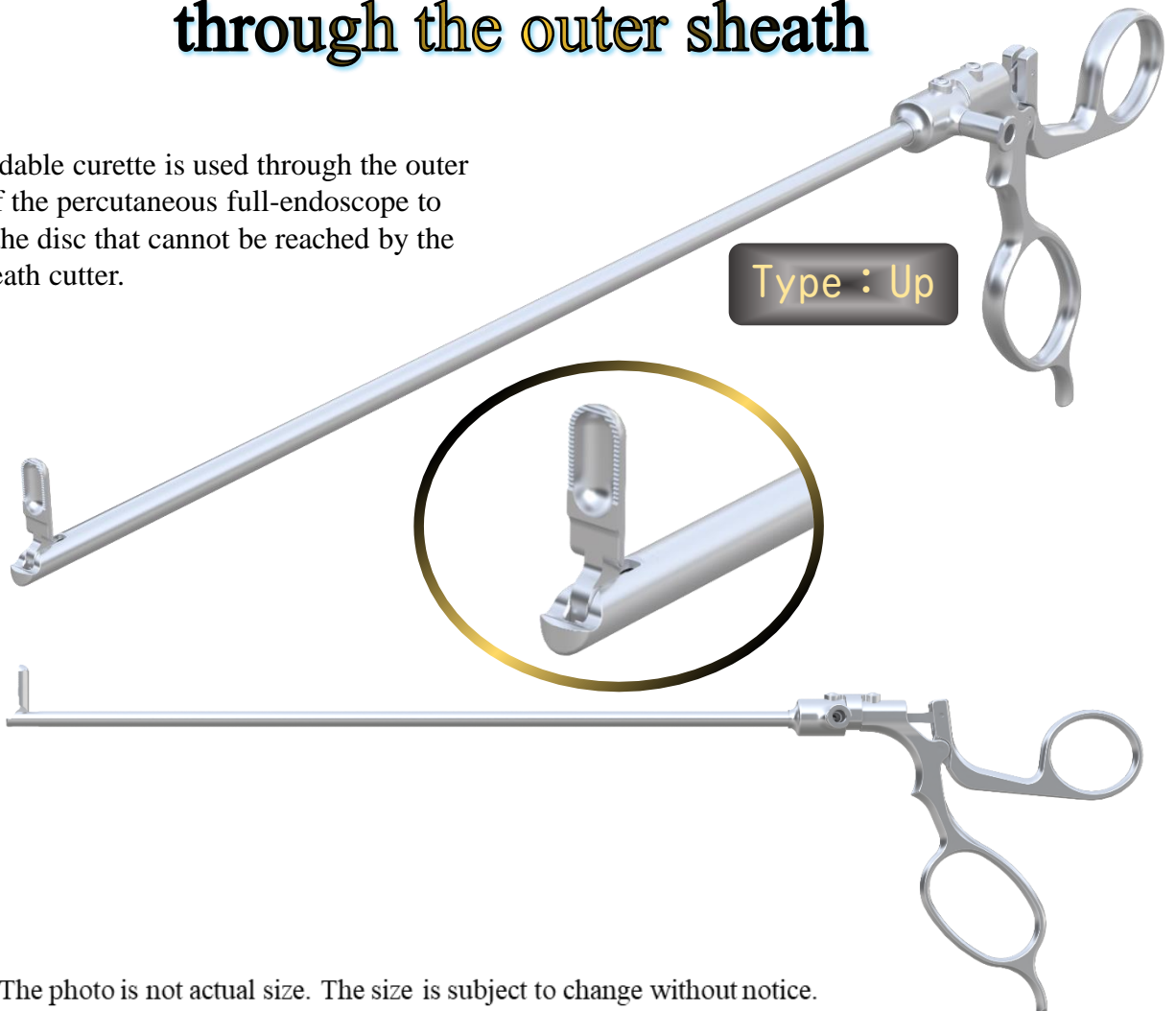
	OD	Length
Sharp dilator	6.4mm	190mm
Serial dilator	7.5mm	150mm
Sheath	8.5mm	105mm
Trephine	7.5mm	170mm

Device name: トレフィンセット  
Registration Number : 21B2X10011000006  
Device Class : Class I  
Adachi Industry Co., Ltd.  
TEL : +81-575-22-0052  
Vol.0-2021.9

# Working instruments for PELIF®

## through the outer sheath

This bendable curette is used through the outer sheath of the percutaneous full-endoscope to remove the disc that cannot be reached by the outer sheath cutter.



The photo is not actual size. The size is subject to change without notice.

bendable Rongeur	Type	Jaw Length	OD	Working Length
	Up	5mm	5mm	250mm
	Down			
	Up	8mm		
	Down	8mm		
	Up	11mm		
	Down	11mm		

Device name : フェジ鉗子  
 Registration Number : 21B2X10011000001  
 Device Class : Class I  
 Adachi Industry Co., Ltd.  
 TEL : +81-575-22-0052